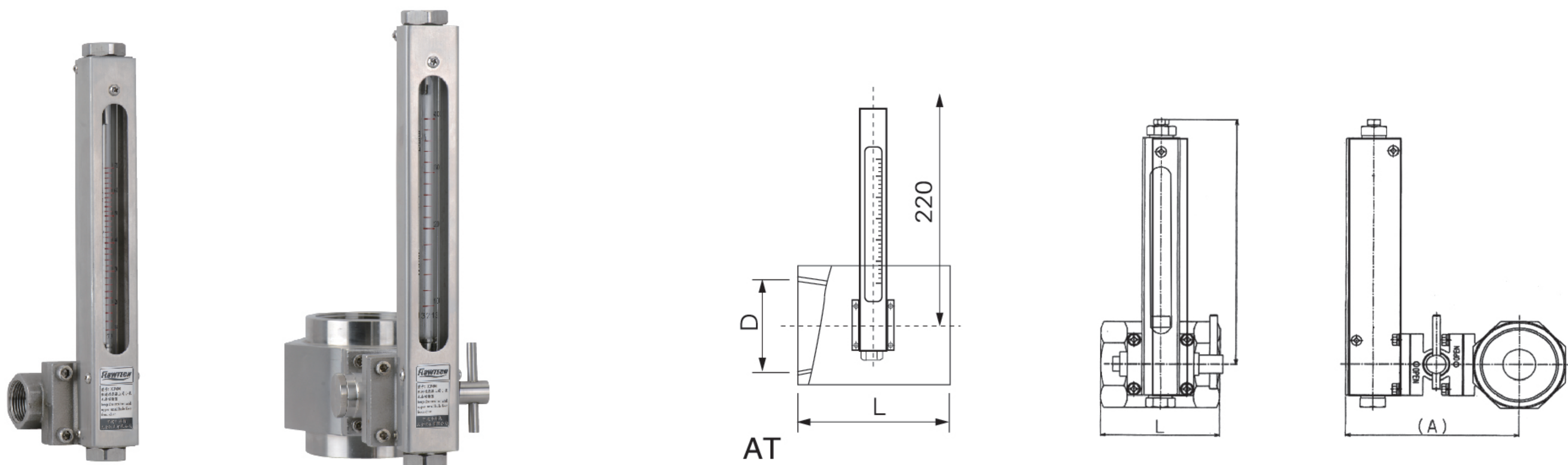


KF600-AT Series Threaded Connection Orifice Plate Type Rotameter

From DN15 to DN100, easy installation and maintenance



KF600-AT Series Threaded Connection Orifice Plate Type Rotameter is an integrated orifice-diverted flowmeter, with the float flowmeter mounted beside the main pipe and combined as one unit with the diversion orifice plate. As fluid flows through the orifice, a differential pressure develops across it, causing part of the fluid to flow through the bypass, which then pushes the float in the glass tube, indicating the flow rate in the main pipe.

FEATURES

- Low pressure loss
- Strong anti-clogging and wear resistance
- Bypass branch can be independently cleaned or replaced, convenient maintenance
- Wide turndown ratio and high precision
- Suitable for a variety of industrial applications
- High cost-effectiveness

APPLICATIONS

- Petrochemical Industry
- Metallurgical Industry
- Textile Industry
- Pharmaceutical Industry
- Semiconductor Industry
- Food and Beverage Industry
- Paper and Pulp
- Power Plants
- Urban Water Supply and Drainage
- Environmental Protection
- New Energy Industry
- Shipbuilding Industry

SPECIFICATIONS

Pipe Size	DN10 - DN100
Accuracy	±3%
Temperature Rating	0°C to 120°C
Pressure Rating	Less than 1MPa
Process Connection	Threaded connection

MODEL CHART

Example	KF600	-AT	-25	-2	-L	-xxx	-xxx	-1	-1	-1
Series	KF600									Threaded Connection Orifice Plate Type Rotameter
Connection		AT								Threaded Connection
Pipe Size			10							DN10, 3/8", Range: Water: 0.1m³/h - 0.5m³/h, Air: 0.8Nm³/h - 4Nm³/h; L=70mm
			15							DN15, 1/2", Range: Water: 0.2m³/h - 1m³/h, Air: 2Nm³/h - 10Nm³/h; L=70mm
			20							DN20, 3/4", Range: Water: 0.5m³/h - 2.5m³/h, Air: 5Nm³/h - 25Nm³/h; L=70mm
			25							DN25, 1", Range: Water: 1m³/h - 5m³/h, Air: 8Nm³/h - 40Nm³/h; L=70mm
			32							DN32, 1-1/4", Range: Water: 1.4m³/h - 7m³/h, Air: 12Nm³/h - 60Nm³/h; L=70mm, A=120mm, 2Kg
			40							DN40, 1-1/2", Range: Water: 2m³/h - 10m³/h, Air: 18Nm³/h - 90Nm³/h; L=84mm, A=120mm, 2.2Kg
			50							DN50, 2", Range: Water: 4m³/h - 20m³/h, Air: 35Nm³/h - 175Nm³/h; L=80mm, A=130mm, 2.3Kg
			65							DN65, 2-1/2", Range: Water: 7m³/h - 35m³/h, Air: 60Nm³/h - 300Nm³/h; L=80mm, A=140mm, 3Kg
		80							DN80, 3", Range: Water: 10m³/h - 50m³/h, Air: 80Nm³/h - 400Nm³/h; L=90mm, A=145mm, 3.5Kg	
		100							DN100, 4", Range: Water: 18m³/h - 90m³/h, Air: 160Nm³/h - 800Nm³/h; L=100mm, A=160mm, 5Kg	
Connection Material			2							304 stainless steel
Medium				L						Liquid
				A						Gas
Working Pressure						xxx				Less than 1MPa
Working Temperature							xxx			Less than 120°C
Shut-off Valve									1	304 stainless steel shut-off valve
									3	Without shut-off valve
Thread Type									1	BSP thread
									2	NPT thread
Indicator Material									1	All wetted parts of the small flow meter are made of 304 or 316 stainless steel
									2	All wetted parts of the small flow meter are made of PVC (optional photoelectric alarm switch)